

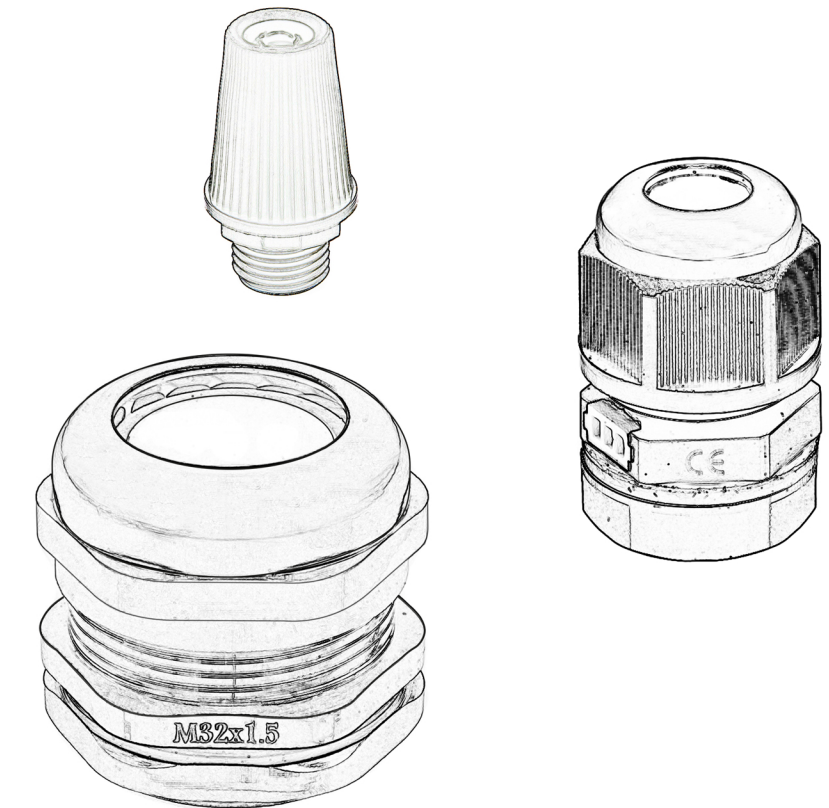


InterElcom Sp. z o.o.

NIP: 898218586 Regon: 021451864

T: +48 71 780 78 36 | T: +48 71 780 78 37

www.interelcom.com | info@interelcom.com



cable gland

OVERALL SOLUTION EXPERT

cab le gland

OVERALL SOLUTION EXPERT



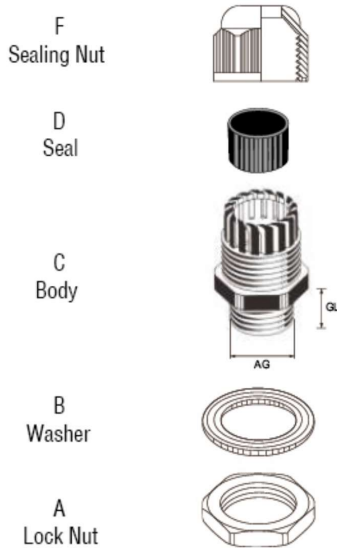
PRODUCTS

Nylon Waterproof Cable Gland PG Type	Page 02	Brass Waterproof Cable Gland PG Type (Long Claw Type)	Page 13
Nylon Waterproof Cable Gland Metric Type	Page 03	Brass Waterproof Cable Gland Metric Type (Long Claw Type)	Page 14
Nylon Waterproof Cable Gland Long Thread PG Type	Page 04	Brass Waterproof Cable Gland PG Type (Short Claw Type)	Page 15
Nylon Waterproof Cable Gland Long Thread Metric Type	Page 05	Brass Waterproof Cable Gland Metric Type (Short Claw Type)	Page 16
Nylon Waterproof Cable Gland PG Type (Flange Type Cap and Locknut)	Page 06	Brass Waterproof Cable Gland G/NPT Type	Page 17
Nylon Waterproof Cable Gland Metric Type (Flange Type Cap and Locknut)	Page 07	Brass Spiral Cable Gland PG/Metric Type	Page 18
Nylon Waterproof Cable Gland Metric Type (Flange Type Cap and Locknut)	Page 08	Brass Waterproof Screw Plug PG/Metric Type (Round or Hexagon)	Page 19
Nylon Spiral Cable Gland PG/Metric Type	Page 09	Brass Adapter	Page 20
Nylon Sprial Cable Gland Long Thread PG/Metric Type	Page 10	Screw Type Wire Connector/Safe Type Wire Connector	Page 22
Nylon Round Waterproof Screw Plug PG/Metric Type	Page 11	Cable Buckle Clip/Buckle Wire Protection	Page 23



Nylon Waterproof Cable Gland PG Type

- **Thread:** PG
- **Materials:** Part A.C.F is made of UL approved nylon PA66 (fire rating UL94V-2), part B.D butadiene rubber (NBR) or EPDM
- **Protection Degree:** IP68 (within fastening range, O type was her will be used in tightening part)
- **Working Temperature:** -40°C to 100°C in static state, instantaneous heat resistance up to 120°C; -20°C to 80°C in dynamic state, instantaneous heat resistance up to 100°C
- **Product Features:** Wide range for fastening cables, strong tensile strength, waterproof, dustproof, resistant to acid and alkali, alcohol, grease and general solvents
- **Color:** Light grey (RAL7035), black (RAL9005), other color can be customized according to request

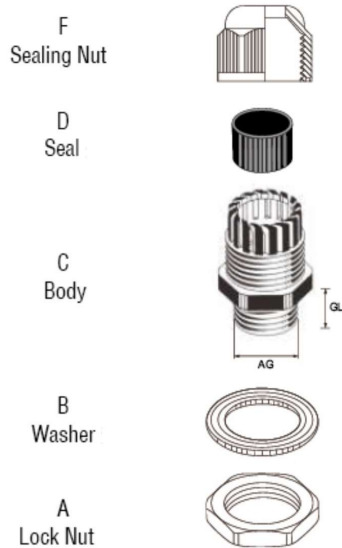


Model	Cable Range (mm)	Thread O. D. AG (mm)	Thread Length GL (mm)	Spanner Size (mm) U H
PG7	3-6.5	12.5	8	18/17
PG7	2-5	12.5	8	18/17
PG9	4-8	15.2	8	22/19
PG9	2-6	15.2	8	22/19
PG11	5-10	18.6	9	24/22
PG11	3-7	18.6	9	24/22
PG13.5	6-12	20.4	10	27/24
PG13.5	5-9	20.4	10	27/24
PG16	10-14	22.5	10	30/27
PG16	8-12	22.5	10	30/27
PG19	12-16	24	10	30/27
PG19	10-14	24	10	30/27
PG21	13-18	28.3	10	36/33
PG21	9-16	28.3	10	36/33
PG25	16-21	30	11	37/36
PG25	13-18	30	11	37/36
PG29	18-25	37	12	46/42
PG29	13-20	37	12	46/42
PG36	22-32	47	14	58/52
PG36	20-26	47	14	58/52
PG42	32-40	54	14	64/60
PG42	25-31	54	14	64/60
PG48	37-44	59.3	14.5	70/64
PG48	29-35	59.3	14.5	70/64
PG63	42-50	71	28	82/77
PG63	32-40	71	28	82/77



Nylon Waterproof Cable Gland Metric Type

- **Thread:** Metric
- **Materials:** Part A.C.F is made of UL approved nylon PA66 (fire rating UL94V-2), part B.D butadiene rubber (NBR) or EPDM
- **Protection Degree:** IP68 (within fastening range, 0 type was her will be used in tightening part)
- **Working Temperature:** -40°C to 100°C in static state, instantaneous heat resistance up to 120°C; -20°C to 80°C in dynamic state, instantaneous heat resistance up to 100°C
- **Product Features:** Wide range for fastening cables, strong tensile strength, waterproof, dustproof, resistant to a cid and alkali, alcohol, grease and general solvents
- **Color:** Light grey (RAL7035), black (RAL9005), other color can be customized according to request



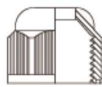
Model	Cable Range (mm)	Thread O. D. AG (mm)	Thread Length GL (mm)	Spanner Size (mm)
M12X1.5	3-6.5	12	8	18/17
M12X1.5	2-5	12	8	18/17
M12X1.5	4-8	12	8	18/19
M12X1.5	2-6	12	8	18/19
M16X1.5	4-8	16	8	22/19
M16X1.5	2-6	16	8	22/19
M16X1.5	5-10	16	9	22/22
M16X1.5	3-7	16	9	22/22
M18X1.5	5-10	18	9	24/22
M18X1.5	3-7	18	9	24/22
M20X1.5	6-12	20	10	27/24
M20X1.5	5-9	20	10	27/24
M20X1.5	10-14	20	10	27/27
M20X1.5	8-12	20	10	27/27
M22X1.5	10-14	22	10	30/27
M22X1.5	8-12	22	10	30/27
M24X1.5	12-16	24	10	30/27
M24X1.5	10-14	24	10	30/27
M25X1.5	13-18	25	10	33/33
M25X1.5	9-16	25	10	33/33
M27X1.5	13-18	27	10	36/33
M27X1.5	9-16	27	10	36/33
M30X1.5	16-20	30	11	37/36
M30X1.5	13-18	30	11	37/36
M32X1.5	16-20	32	11	40/35
M32X1.5	13-18	32	11	40/35
M32X1.5	18-25	32	13	40/42
M32X1.5	13-20	32	13	40/42
M36X1.5	18-25	36	12	46/42
M36X1.5	13-20	36	12	46/42
M40X1.5	22-32	40	15	50/52
M40X1.5	20-26	40	15	50/52
M50X1.5	32-40	50	15	62/60
M50X1.5	25-31	50	15	62/60
M63X1.5	37-44	63	15	75/68
M63X1.5	29-35	63	15	75/68



Nylon Waterproof Cable Gland Long Thread PG Type

- **Thread:** PG
- **Materials:** Part A.C.F is made of UL approved nylon PA66 (fire rating UL94V-2), part B.D butadiene rubber (NBR) or EPDM
- **Protection Degree:** IP68 (within fastening range, 0 type was her will be used in tightening part)
- **Working Temperature:** -40°C to 100°C in static state, instantaneous heat resistance up to 120°C; -20°C to 80°C in dynamic state, instantaneous heat resistance up to 100°C
- **Product Features:** Wide range for fastening cables, strong tensile strength, waterproof, dustproof, resistant to acid and alkali, alcohol, grease and general solvents
- **Color:** Light grey (RAL7035), black (RAL9005), other color can be customized according to request

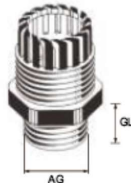
F
Sealing Nut



D
Seal



C
Body




B
Washer



A
Lock Nut

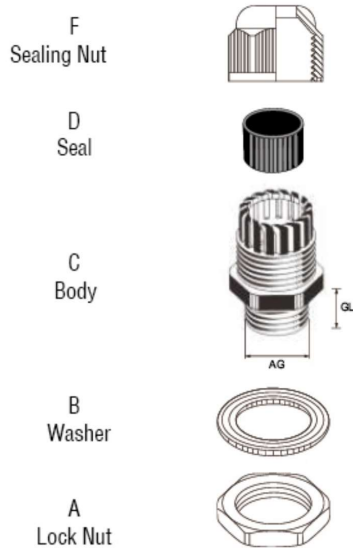


Model	Cable Range (mm)	Thread O. D. AG (mm)	Thread Length GL (mm)	Spanner Size (mm) 
PG7	3-6.5	12.5	15	18/17
PG7	2-5	12.5	15	18/17
PG9	4-8	15.2	15	22/19
PG9	2-6	15.2	15	22/19
PG11	5-10	18.6	15	24/22
PG11	3-7	18.6	15	24/22
PG13.5	6-12	20.4	15	27/24
PG13.5	5-9	20.4	15	27/24
PG16	10-14	22.5	15	30/27
PG16	8-12	22.5	15	30/27
PG19	12-16	24	15	30/27
PG19	10-14	24	15	30/27
PG21	13-18	28.3	15	36/33
PG21	9-16	28.3	15	36/33
PG25	16-21	30	15	37/36
PG25	13-18	30	15	37/36
PG29	18-25	37	18	46/42
PG29	13-20	37	18	46/42
PG36	22-32	47	18	58/52
PG36	20-26	47	18	58/52
PG42	32-40	54	18	64/60
PG42	25-31	54	18	64/60
PG48	37-44	59.3	18	70/64
PG48	29-35	59.3	18	70/64
PG63	42-50	71	28	82/77
PG63	32-40	71	28	82/77



Nylon Waterproof Cable Gland Long Thread Metric Type

- **Thread:** Metric
- **Materials:** Part A.C.F is made of UL approved nylon PA66 (fire rating UL94V-2), part B.D butadiene rubber (NBR) or EPDM
- **Protection Degree:** IP68 (within fastening range, 0 type was her will be used in tightening part)
- **Working Temperature:** -40°C to 100°C in static state, instantaneous heat resistance up to 120°C; -20°C to 80°C in dynamic state, instantaneous heat resistance up to 100°C
- **Product Features:** Wide range for fastening cables, strong tensile strength, waterproof, dustproof, resistant to acid and alkali, alcohol, grease and general solvents
- **Color:** Light grey (RAL7035), black (RAL9005), other color can be customized according to request

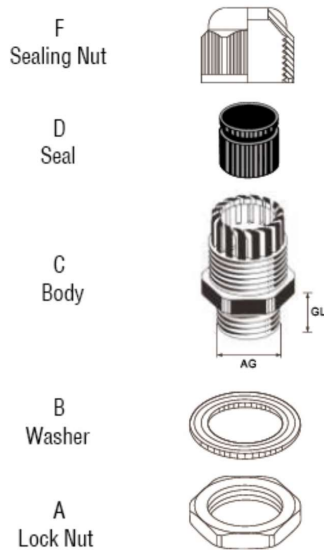


Model	Cable Range (mm)	Thread O. D. AG (mm)	Thread Length GL (mm)	Spanner Size (mm)
M12X1.5	3-6.5	12	15	18/17
M12X1.5	2-5	12	15	18/17
M12X1.5	4-8	12	15	18/19
M12X1.5	2-6	12	15	18/19
M16X1.5	4-8	16	15	22/19
M16X1.5	2-6	16	15	22/19
M16X1.5	5-10	16	15	22/22
M16X1.5	3-7	16	15	22/22
M18X1.5	5-10	18	15	24/22
M18X1.5	3-7	18	15	24/22
M20X1.5	6-12	20	15	27/24
M20X1.5	5-9	20	15	27/24
M20X1.5	10-14	20	15	27/27
M20X1.5	8-12	20	15	27/27
M22X1.5	10-14	22	15	30/27
M22X1.5	8-12	22	15	30/27
M24X1.5	12-16	24	15	30/27
M24X1.5	10-14	24	15	30/27
M25X1.5	13-18	25	15	33/33
M25X1.5	9-16	25	15	33/33
M27X1.5	13-18	27	15	36/33
M27X1.5	9-16	27	15	36/33
M30X1.5	16-20	30	15	37/36
M30X1.5	13-18	30	15	37/36
M32X1.5	16-20	32	15	40/35
M32X1.5	13-18	32	15	40/35
M32X1.5	18-25	32	16	40/42
M32X1.5	13-20	32	16	40/42
M36X1.5	18-25	36	18	46/42
M36X1.5	13-20	36	18	46/42
M40X1.5	22-32	40	18	50/52
M40X1.5	20-26	40	18	50/52
M50X1.5	32-40	50	18	62/60
M50X1.5	25-31	50	18	62/60
M63X1.5	37-44	63	18	75/68
M63X1.5	29-35	63	18	75/68



Nylon Waterproof Cable Gland PG Type(Flange Type Cap and Locknut)

- **Thread:** PG
- **Materials:** Part A.C.F is made of UL approved nylon PA66(fire rating UL94V-2),part B.D butadiene rubber (NBR) or EPDM
- **Protection Degree:** IP68 (within fastening range,0 type was her will be used in tightening part)
- **Working Temperature:** -40℃ to 100℃ in static state, instantaneous heat resistance up to 120℃; -20℃ to 80℃ in dynamic state, instantaneous heat resistance up to 100℃
- **Product Features:**Wide range for fastening cables, strong tensile strength, waterproof, dustproof, resistant to a cid and alkali, alcohol, grease and general solvents
- **Color:** Light grey(RAL7035), black(RAL9005), other color can be customized according to request

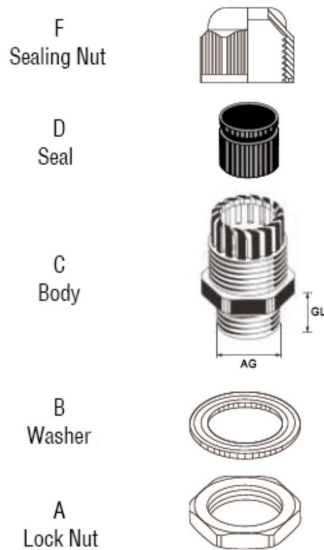


Model	Cable Range (mm)	Thread O. D. AG (mm)	Thread Length GL (mm)	Spanner Size (mm)
PG 7S	3-6.5	12.5	8	17/15
PG 7SL	3-6.5	12.5	15	17/15
PG 7	4-8	12.5	8	17/19
PG 7L	4-8	12.5	15	17/19
PG 9	4-8	15.2	8	22/19
PG 9L	4-8	15.2	15	22/19
PG 11	6-10	18.6	10	24/22
PG 11L	6-10	18.6	15	24/22
PG 13.5	7-12	20.4	10	27/24
PG 13.5L	7-12	20.4	15	27/24
PG 16	10-14	22.5	10.8	30/27
PG 16L	10-14	22.5	15	30/27
PG 19	10-14	24	11	30/27
PG 19L	10-14	24	15	30/27
PG 21	13-18	28.3	12	36/33
PG 21L	13-18	28.3	15	36/33
PG 25	14-20	30	12	37/36
PG 25L	14-20	30	15	37/36
PG 29	18-25	37	12	46/42
PG 29L	18-25	37	15	46/42
PG 36	24-32	47	15	58/52
PG 42	32-40	54	15	64/62
PG 48	37-44	59.3	18	70/65



Nylon Waterproof Cable Gland Metric Type(Flange Type Cap and Locknut)

- **Thread:** Metric
- **Materials:** Part A.C.F is made of UL approved nylon PA66 (fire rating UL94V-2), part B.D butadiene rubber (NBR) or EPDM
- **Protection Degree:** IP68 (within fastening range, O type was her will be used in tightening part)
- **Working Temperature:** -40°C to 100°C in static state, instantaneous heat resistance up to 120°C; -20°C to 80°C in dynamic state, instantaneous heat resistance up to 100°C
- **Product Features:** Wide range for fastening cables, strong tensile strength, waterproof, dustproof, resistant to acid and alkali, alcohol, grease and general solvents
- **Color:** Light grey (RAL7035), black (RAL9005), other color can be customized according to request



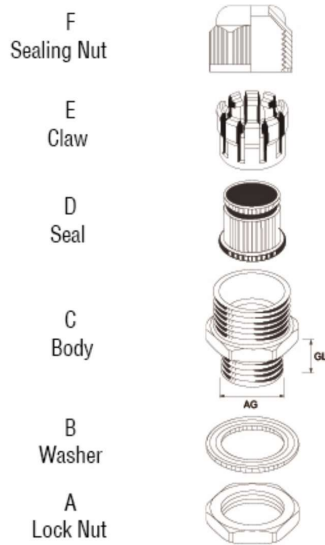
Model	Cable Range (mm)	Thread O. D. AG (mm)	Thread Length GL (mm)	Spanner Size (mm)
M10X1.5	3-6.5	10	8	15/15
M10X1.5L	3-6.5	10	8	15/15
M12X1.5S	3-6.5	12	8.5	17/15
M12X1.5SL	3-6.5	12	15	17/15
M12X1.5	4-8	12	8.5	17/19
M12X1.5L	4-8	12	15	17/19
M16X1.5S	4-8	16	10	22/19
M16X1.5SL	4-8	16	15	22/19
M16X1.5	5-10	16	10	22/22
M16X1.5L	5-10	16	15	22/22
M18X1.5S	5-10	18	10	24/22
M18X1.5SL	5-10	18	15	24/22
M18X1.5	6-12	18	10	24/24
M18X1.5L	6-12	18	15	24/24
M20X1.5S	6-12	20	10	27/24
M20X1.5SL	6-12	20	15	27/24
M20X1.5	9-14	20	11	27/27
M20X1.5L	9-14	20	15	27/27
M22X1.5	9-14	22	11	30/27
M22X1.5L	9-14	22	15	30/27
M24X1.5	9-14	24	11	30/27
M24X1.5L	9-14	24	15	30/27
M25X1.5S	9-14	25	11	33/27
M25X1.5SL	9-14	25	15	33/27
M25X1.5	13-18	25	12	33/33
M25X1.5L	13-18	25	15	33/33
M32X1.5S	14-20	32	12	37/36
M32X1.5	18-25	32	12	37/42
M36X1.5	18-25	36	12	45/42
M40X1.5	23-32	40	15	50/52
M50X1.5	30-41	50	15	62/62
M63X1.5	35-45	63	18	75/68



Nylon Waterproof Cable Gland MG Split Type

- **Thread:** Metric
- **Materials:** Part A.C.F is made of UL approved nylon PA66 (fire rating UL94V-2), part B.D butadiene rubber (NBR) or EPDM
- **Protection Degree:** IP68 (within fastening range, 0 type was her will be used in tightening part)
- **Working Temperature:** -40°C to 100°C in static state, instantaneous heat resistance up to 120°C; -20°C to 80°C in dynamic state, instantaneous heat resistance up to 100°C
- **Product Features:** Wide range for fastening cables, strong tensile strength, waterproof, dustproof, resistant to acid and alkali, alcohol, grease and general solvents
- **Color:** Light grey (RAL7035), black (RAL9005), other color can be customized according to request

Model	Cable Range (mm)	Thread O. D. AG (mm)	Thread Length GL (mm)	Spanner Size (mm) 
MG-12A	4.5-8	12	8.5	17/19
MG-12A	3-5.3	12	8.5	17/19
MG-16A	6-10	16	15	22/22
MG-16A	4-7	16	15	22/22
MG-20A	9-14	20	15	27/27
MG-20A	6-11	20	15	27/27
MG-25A	13-18	25	15	33/33
MG-25A	10-16	25	15	33/33
MG-32A	18-25	32	15	41/41
MG-32A	15-22	32	15	41/41
MG-40A	24-30	40	20	50/50
MG-40A	20-25	40	20	50/50
MG-50A	30-40	50	23	61/62
MG-50A	26-32	50	23	61/62
MG-63A	40-50	63	24.5	74/76
MG-63A	38-46	63	24.5	74/76

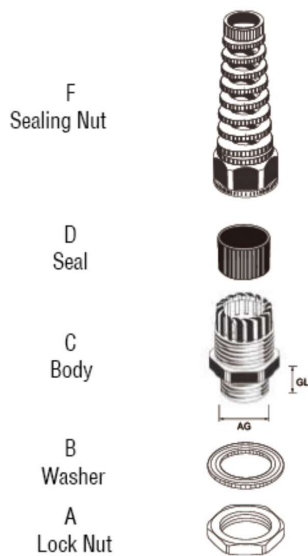


Nylon Spiral Cable Gland PG/Metric Type

- **Thread:** PG, Metric
- **Materials:** Part A.C.F is made of UL approved nylon PA66 (fire rating UL94V-2), part B.D butadiene rubber (NBR) or EPDM
- **Protection Degree:** IP68 (within fastening range, 0 type was her will be used in tightening part)
- **Working Temperature:** -40°C to 100°C in static state, instantaneous heat resistance up to 120°C; -20°C to 80°C in dynamic state, instantaneous heat resistance up to 100°C
- **Product Features:** Wide range for fastening cables, strong tensile strength, waterproof, dustproof, resistant to a cid and alkali, alcohol, grease and general solvents
- **Color:** Light grey (RAL7035), black (RAL9005), other color can be customized according to request


Model	Cable Range (mm)	Thread O. D. AG (mm)	Thread Length GL (mm)	Spanner Size (mm)
PG7	3-6.5	12.5	8	18/17
PG7	2-5	12.5	8	18/17
PG9	4-8	15.2	8	22/19
PG9	2-6	15.2	8	22/19
PG11	5-10	18.6	9	24/22
PG11	3-7	18.6	9	24/22
PG13.5	6-12	20.4	10	27/24
PG13.5	5-9	20.4	10	27/24
PG16	10-14	22.5	10	30/27
PG16	8-12	22.5	10	30/27
PG21	13-18	28.3	10	36/33
PG21	9-16	28.3	10	36/33


Model	Cable Range (mm)	Thread O. D. AG (mm)	Thread Length GL (mm)	Spanner Size (mm)
M12X1.5	3-6.5	12	8	18/17
M12X1.5	2-5	12	8	18/17
M12X1.5	4-8	12	8	18/19
M12X1.5	2-6	12	8	18/19
M16X1.5	4-8	16	9	22/19
M16X1.5	2-6	16	9	22/19
M16X1.5	5-10	16	9	22/22
M16X1.5	3-7	16	9	22/22
M18X1.5	5-10	18	9	24/22
M18X1.5	3-7	18	9	24/22
M20X1.5	6-12	20	10	27/24
M20X1.5	5-9	20	10	27/24
M20X1.5	10-14	20	10	27/27
M20X1.5	8-12	20	10	27/27
M22X1.5	10-14	22	10	30/27
M22X1.5	8-12	22	10	30/27
M25X1.5	13-18	25	10	33/33
M25X1.5	9-16	25	10	33/33
M27X1.5	13-18	27	10	36/33
M27X1.5	9-16	27	10	36/33

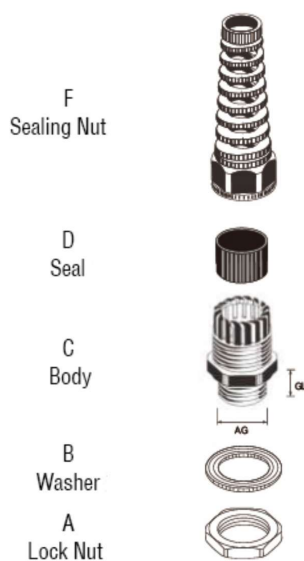


Nylon Sprial Cable Gland Long Thread PG/Metric Type

- **Thread:** PG, Metric
- **Materials:** Part A.C.F is made of UL approved nylon PA66 (fire rating UL94V-2), part B.D butadiene rubber (NBR) or EPDM
- **Protection Degree:** IP68 (within fastening range, 0 type was her will be used in tightening part)
- **Working Temperature:** -40°C to 100°C in static state, instantaneous heat resistance up to 120°C; -20°C to 80°C in dynamic state, instantaneous heat resistance up to 100°C
- **Product Features:** Wide range for fastening cables, strong tensile strength, waterproof, dustproof, resistant to acid and alkali, alcohol, grease and general solvents.
- **Color:** Light grey (RAL7035), black (RAL9005), other color can be customized according to request

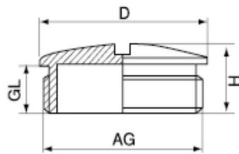
Model	Cable Range (mm)	Thread O. D. AG (mm)	Thread Length GL (mm)	Spanner Size (mm) 
PG7	3-6.5	12.5	15	18/17
PG7	2-5	12.5	15	18/17
PG9	4-8	15.2	15	22/19
PG9	2-6	15.2	15	22/19
PG11	5-10	18.6	15	24/22
PG11	3-7	18.6	15	24/22
PG13.5	6-12	20.4	15	27/24
PG13.5	5-9	20.4	15	27/24
PG16	10-14	22.5	15	30/27
PG16	8-12	22.5	15	30/27
PG21	13-18	28.3	15	36/33
PG21	9-16	28.3	15	36/33

Model	Cable Range (mm)	Thread O. D. AG (mm)	Thread Length GL (mm)	Spanner Size (mm) 
M12X1.5	3-6.5	12	15	18/17
M12X1.5	2-5	12	15	18/17
M12X1.5	4-8	12	15	18/19
M12X1.5	2-6	12	15	18/19
M16X1.5	4-8	16	15	22/19
M16X1.5	2-6	16	15	22/19
M16X1.5	5-10	16	15	22/22
M16X1.5	3-7	16	15	22/22
M18X1.5	5-10	18	15	24/22
M18X1.5	3-7	18	15	24/22
M20X1.5	6-12	20	15	27/24
M20X1.5	5-9	20	15	27/24
M20X1.5	10-14	20	15	27/27
M20X1.5	8-12	20	15	27/27
M22X1.5	10-14	22	15	30/27
M22X1.5	8-12	22	15	30/27
M25X1.5	13-18	25	15	33/33
M25X1.5	9-16	25	15	33/33
M27X1.5	13-18	27	15	36/33
M27X1.5	9-16	27	15	36/33



Nylon Round Waterproof Screw Plug PG/Metric Type

- **Material:** Adopting nylon PA66 certificated by UL
- **Weather strip:** Made of UL approved nylon PA66(fire rating UL94V-2)
- **Working temperature:** -40℃ to 100℃
- **Protection Degree:** IP68 (within fastening range, 0 type was her will be used in tightening part)
- **Color:** Light grey(RAL7035), black(RAL9005), other color can be customized according to request



Model	Thread O. D. AG (mm)	Thread Length GL (mm)	Main Body Dimensions H (mm)	Cover Dimensions D (mm)
PG7	12.5	8.5	12.5	15
PG9	15.2	9	13	19
PG11	18.6	9	13	22
PG13.5	20.4	9	13	25
PG16	22.5	10	14.5	27
PG19	24	10.5	15.5	29
PG21	28.3	10.5	15.5	33
PG25	30	11	16	35
PG29	37	12	16	44
PG36	47	13.5	18	55
PG42	54	13.5	18	62
PG48	59.3	14.5	19	68


Model	Thread O. D. AG (mm)	Thread Length GL (mm)	Main Body Dimensions H (mm)	Cover Dimensions D (mm)
M12X1.5	12	8.5	12.5	15
M16X1.5	16	9	13	19
M18X1.5	18	9	13	22
M20X1.5	20	9	13	25
M22X1.5	22	10	14.5	27
M24X1.5	24	10.5	15.5	29
M25X1.5	25	10.5	15.5	30
M27X1.5	27	11	15.5	33
M30X1.5	30	11	16	35
M32X1.5	32	11	16	38
M40X1.5	40	11.5	16	46
M50X1.5	50	13.5	18	56
M63X1.5	63	14	19	68

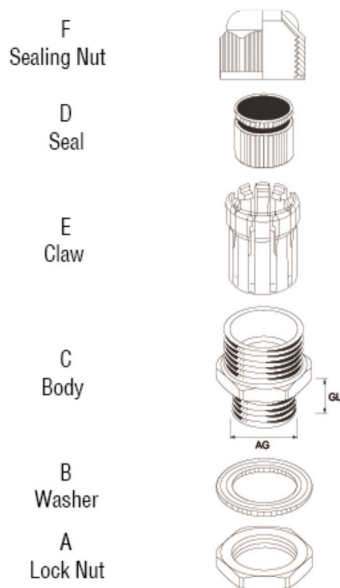




Brass Waterproof Cable Gland PG Type (Long Claw Type)


- **Thread:** PG
- **Materials:** Part A.C.F is made of UL certified nickel plated brass, part E is made of UL approved nylon PA66 (fire rating UL94V-2), part B.D butadiene rubber (NBR) or EPDM
- **Protection Degree:** IP68 (within fastening range, 0 type was her will be used in tightening part)
- **Working Temperature:** -40°C to 100°C in static state, instantaneous heat resistance up to 120°C
- **Product Features:** Wide range for fastening cables, strong tensile strength, waterproof, dustproof, resistant to acid and alkali, alcohol, grease and general solvents

Model	Cable Range (mm)	Thread O. D. AG (mm)	Thread Length GL (mm)	Spanner Size (mm) 
PG7	3-6.5	12.5	6	14
PG9	4-8	15.2	7	17
PG11	5-10	18.6	7.5	20
PG13.5	6-12	20.4	7.5	22
PG16	10-14	22.5	7.5	24
PG19	10-15	24	8	25
PG21	13-18	28.3	8	30
PG25	15-20	30	9	33
PG29	18-25	37	9	40
PG36	25-32	47	10	50
PG42	32-38	54	11	57
PG48	37-44	59.3	11	64



Brass Waterproof Cable Gland Metric Type (Long Claw Type)

- **Thread:** Metric
- **Materials:** Part A.C.F is made of UL certified nickel plated brass, part E is made of UL approved nylon PA66 (fire rating UL94V-2), part B.D butadiene rubber (NBR) or EPDM
- **Protection Degree:** IP68 (within fastening range, 0 type was her will be used in tightening part)
- **Working Temperature:** -40°C to 100°C in static state, instantaneous heat resistance up to 120°C
- **Product Features:** Wide range for fastening cables, strong tensile strength, waterproof, dustproof, resistant to a cid and alkali, alcohol, grease and general solvents

Model	Cable Range (mm)	Thread O. D. AG (mm)	Thread Length GL (mm)	Spanner Size (mm) 
M12X1.5	3-6.5	12	6	14
M16X1.5	4-8	16	7	17
M18X1.5	5-10	18	7.5	20
M20X1.5	6-12	20	7.5	22
M22X1.5	10-14	22	7.5	24
M24X1.5	10-15	24	8	26
M25X1.5	12-16	25	8	27
M27X1.5	13-18	27	8	30
M30X1.5	15-20	30	9	33
M32X1.5	16-22	32	9	35
M36X1.5	18-25	36	9	40
M40X1.5	22-30	40	9	45
M50X1.5	32-38	50	10	57
M63X1.5	37-44	63	11	68

F
Sealing Nut



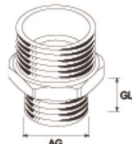
D
Seal



E
Claw



C
Body



B
Washer




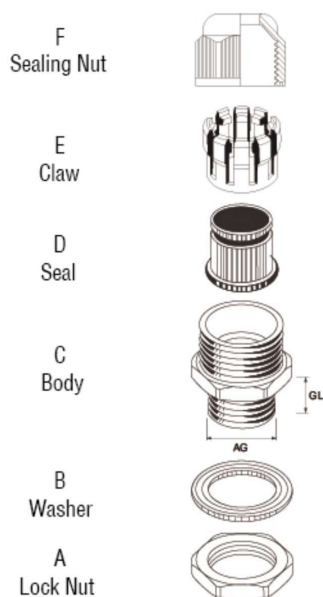
A
Lock Nut



Brass Waterproof Cable Gland PG Type (Short Claw Type)

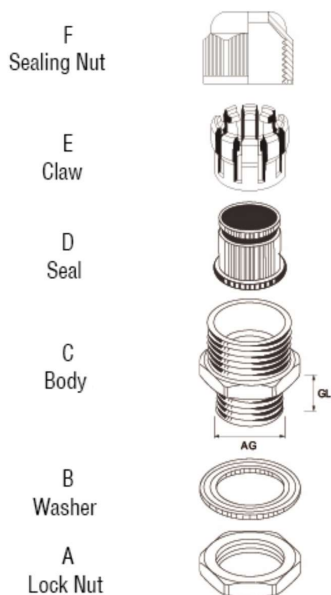
- **Thread:** PG
- **Materials:** Part A.C.F is made of UL certified nickel plated brass, part E is made of UL approved nylon PA66 (fire rating UL94V-2), part B.D butadiene rubber (NBR) or EPDM
- **Protection Degree:** IP68 (within fastening range, 0 type was her will be used in tightening part)
- **Working Temperature:** -40°C to 100°C in static state, instantaneous heat resistance up to 120°C
- **Product Features:** Wide range for fastening cables, strong tensile strength, waterproof, dustproof, resistant to acid and alkali, alcohol, grease and general solvents

Model	Cable Range (mm)	Thread O. D. AG (mm)	Thread Length GL (mm)	Spanner Size (mm) 
PG7	3-6.5	12.5	6	14
PG9	4-8	15.2	7	17
PG11	5-10	18.6	7.5	20
PG13.5	6-12	20.4	7.5	22
PG16	10-14	22.5	7.5	24
PG19	10-15	24	8	25
PG21	13-18	28.3	8	30
PG25	15-20	30	9	33
PG29	18-25	37	9	40
PG36	25-32	47	10	50
PG42	32-38	54	11	57
PG48	37-44	59.3	11	64
PG63	42-52	72	20	78



Brass Waterproof Cable Gland Metric Type (Short Claw Type)

- **Thread:** Metric
- **Materials:** Part A.C.F is made of UL certified nickel plated brass, part E is made of UL approved nylon PA66 (fire rating UL94V-2), part B.D butadiene rubber (NBR) or EPDM
- **Protection Degree:** IP68 (within fastening range, 0 type was her will be used in tightening part)
- **Working Temperature:** -40°C to 100°C in static state, instantaneous heat resistance up to 120°C
- **Product Features:** Wide range for fastening cables, strong tensile strength, waterproof, dustproof, resistant to a cid and alkali, alcohol, grease and general solvents



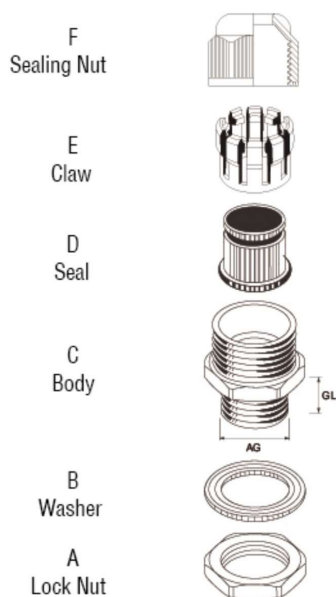
Model	Cable Range (mm)	Thread O. D. AG (mm)	Thread Length GL (mm)	Spanner Size (mm) $\frac{U}{H}$
M8X1	2-5	8	5	12
M10X1(1.5)	3-6.5	10	6	14
M12X1.5	3-6.5	12	6	14
M14x1.5	4-8	14	7	17
M16X1.5	4-8	16	7	17
M18X1.5	5-10	18	7	20
M20X1.5	6-12	20	7.5	22
M22X1.5	10-14	22	7.5	24
M24X1.5	10-15	24	8	26
M25X1.5	12-16	25	8	27
M25X1.5	13-18	25	8	30
M27X1.5(2)	13-18	27	8	30
M28X1.5(2)	13-18	28	9	30
M30X1.5(2)	15-20	30	9	33
M32X1.5(2)	16-22	32	9	35
M33X1.5(2)	16-22	33	9	35
M36X1.5(2)	18-25	36	9	40
M38X1.5(2)	18-25	38	9	40
M40X1.5(2)	22-30	40	9	45
M42X1.5(2)	22-30	42	9	45
M48X1.5(2)	22-32	48	10	50
M50X1.5(2)	32-38	50	10	57
M54X1.5(2)	32-38	54	10	57
M58X1.5(2)	37-44	58	11	64
M60X1.5(2)	37-44	60	11	64
M63X1.5(2)	37-44	63	11	68
M64X1.5(2)	37-44	64	11	68
M70X2	42-52	70	20	78
M72X2	42-52	72	20	78
M75X2	42-52	72	20	78
M80X2	55-62	80	20	87
M88X2	62-70	88	20	95
M90X2	62-70	90	20	95
M100X2	76-84	100	20	111



Brass Waterproof Cable Gland G/NPT Type

- **Thread:** G, NPT
- **Materials:** Part A.C.F is made of UL certified nickel plated brass, part E is made of UL approved nylon PA66 (fire rating UL94V-2), part B.D butadiene rubber (NBR) or EPDM
- **Protection Degree:** IP68 (within fastening range, O type was her will be used in tightening part)
- **Working Temperature:** -40°C to 100°C in static state, instantaneous heat resistance up to 120°C
- **Product Features:** Wide range for fastening cables, strong tensile strength, waterproof, dustproof, resistant to acid and alkali, alcohol, grease and general solvents

Model	Cable Range (mm)	Thread O. D. AG (mm)	Thread Length GL (mm)	Spanner Size (mm)
G1/4"	3-6.5	13.6	6	15
G3/8"	4-8	17	7	18
G1/2"	6-12	20.9	7.5	22
G3/4"	13-18	26.4	8	30
G1"	18-25	33.2	9	40
G1 1/4"	25-32	41.9	10	50
G1 1/2"	32-38	48	11	57
G2"	37-44	60	11	64
G2 1/2"	42-52	72.6	20	78



Model	Cable Range (mm)	Thread O. D. AG (mm)	Thread Length GL (mm)	Spanner Size (mm)
NPT1/4"	3-6.5	13.6	6	15
NPT3/8"	4-8	17	7	18
NPT1/2"	6-12	20.9	7.5	22
NPT3/4"	13-18	26.4	8	30
NPT1"	18-25	33.2	9	40
NPT1 1/4"	25-32	41.9	10	50
NPT1 1/2"	32-38	48	11	57
NPT2"	37-44	60	11	64
NPT2 1/2"	42-52	72.6	20	78

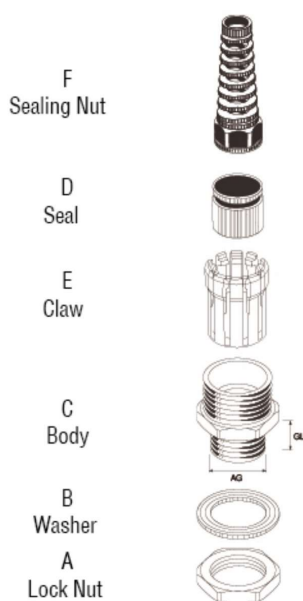


Brass Spiral Cable Gland PG/Metric Type

- **Thread:** PG, Metric
- **Materials:** Part A.C.F is made of UL certified nickel plated brass, part E is made of UL approved nylon PA66 (fire rating ul94v-2), part B.D butadiene rubber (NBR) or EPDM
- **Protection Degree:** IP68 (within fastening range, O type was her will be used in tightening part)
- **Working Temperature:** -40°C to 100°C in static state, instantaneous heat resistance up to 120°C
- **Product Features:** Wide range for fastening cables, strong tensile strength, waterproof, dustproof, resistant to acid and alkali, alcohol, grease and general solvents

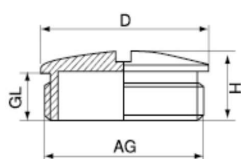
Model	Cable Range (mm)	Thread O. D. AG (mm)	Thread Length GL (mm)	Spanner Size (mm) ⌀
PG7	3-6.5	12.5	6	14
PG9	4-8	15.2	7	17
PG11	5-10	18.6	7.5	20
PG13.5	6-12	20.4	7.5	22
PG16	10-14	22.5	7.5	24
PG21	13-18	28.3	8	30

Model	Cable Range (mm)	Thread O. D. AG (mm)	Thread Length GL (mm)	Spanner Size (mm) ⌀
M12X1.5	3-6.5	12	6	14
M16X1.5	4-8	16	7	17
M18X1.5	5-10	18	7.5	20
M20X1.5	6-12	20	7.5	22
M22X1.5	10-14	22	7.5	24
M25X1.5	13-18	25	8	30
M27X1.5	13-18	27	8	30



Brass Waterproof Screw Plug PG/Metric Type (Round or Hexagon)

- **Thread:** PG, Metric
- **Materials:** Nickel plated brass
- **Protection Degree:** IP68 (within fastening range, 0 type was her will be used in tightening part)
- **Working Temperature:** -40°C to 100°C in static state



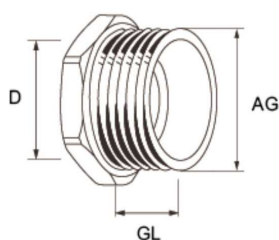
Model	Thread O. D. AG (mm)	Thread Length GL (mm)	Main Body Dimensions H (mm)	Cover Dimensions D (mm)
PG7	12.5	6	9	14
PG9	15.2	7	10.5	17
PG11	18.6	7	10.5	20
PG13.5	20.4	7.5	11	22
PG16	22.5	7.5	11.5	24
PG19	24	8	11.5	26
PG21	28.3	8	12	30
PG25	30	9	12.5	32
PG29	37	9	12.5	40
PG36	47	9	16	50
PG42	54	10	17	57
PG48	59.3	11	18	64

Model	Thread O. D. AG (mm)	Thread Length GL (mm)	Main Body Dimensions H (mm)	Cover Dimensions D (mm)
M12X1.5	12	6	9	14
M16X1.5	16	7	10.5	17
M18X1.5	18	7	10.5	20
M20X1.5	20	7.5	11	22
M22X1.5	22	7.5	11.5	24
M24X1.5	24	8	11.5	26
M25X1.5	25	8	12	27
M27X1.5	27	8	12	30
M30X1.5	30	9	12.5	32
M32X1.5	32	9	13	34
M40X1.5	40	9	14	42
M50X1.5	50	10	17	52
M63X1.5	63	11	19	68



Brass Adapter

- **Thread:** PG, Metric
- **Materials:** Nickel plated brass
- **Protection Degree:** IP68 (within fastening range, 0 type was her will be used in tightening part)
- **Working Temperature:** -40°C to 100°C in static state



Model	Thread O. D. AG (mm)	Thread Length D (mm)	Thread Length GL (mm)	Spanner Size (mm) Ψ
M1612	M16X1.5	M12X1.5	6	18
M2016	M20X1.5	M16X1.5	6.5	22
M2520	M25X1.5	M20X1.5	7	30
M3225	M32X1.5	M25X1.5	8	40
M4032	M40X1.5	M32X1.5	9	50
M5040	M50X1.5	M40X1.5	10	59
M6350	M63X1.5	M50X1.5	10	67

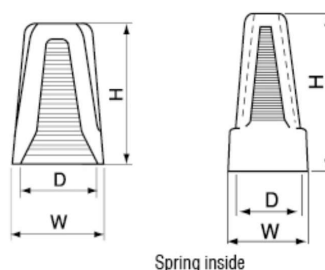




Screw Type Wire Connector/Safe Type Wire Connector

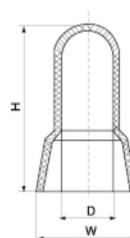
- Thermoplastic engineering plastics shell, flame retardant rating of UL94V-2
- Galvanized carbon steel spring
- Plug in the connector after stripping, rotate the connector and let the spring clamp the wire
- It can used to replace the traditional connection mode of insulating tape
- Applicable for all kinds of electrical products, light fixtures, household wiring and other wiring equipment

Type	Model	Color	H(mm)	W(mm)	Thread I. D. D (mm)	Applied Cable Range
Safety-type wire joints	P1	Grey	15.2	8.6	6.5	22~14
	P2	Blue	17.7	9.9	7.1	22~14
	P3	Orange	22	12.7	9.7	22~14
	P4	Yellow	24.6	14	11	20~10
	P6	Red	26.5	16.3	13.1	22~10
	P6H	Red	26.6	16.3	13.1	22~10



- PA66 engineering plastics shell, flame retardant rating of UL94V-2
- Copper or aluminum terminal block
- Plug in the terminal after stripping, tighten by tool
- Vibration resistant and firm
- It can used to replace the traditional connection mode of insulating tape
- Applicable for all kinds of electrical products, light fixtures, household wiring and other wiring equipment

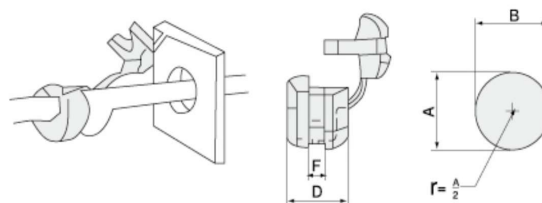
Type	Model	H(mm)	W(mm)	Thread I. D. D (mm)	Applied Cable Range	
					mm ²	A.W.G
Safety-type wire joints	CE-1	18	7.8	2.6	1.25	22~18
	CE-2	20	9.5	3.1	2	22~14
	CE-5	25.5	12.5	4.4	5.5	22~10
	CE-8	27.7	14.3	5.3	8	16~10



Cable Buckle Clip/Buckle Wire Protection

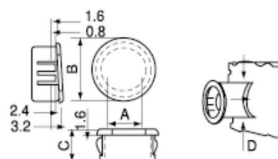
- PA66 engineering plastics shell, flame retardant rating of UL94V-2
- Operating temperature should not exceed 75°C (167° F)
- Power line can be fixed to prevent from sliding and being scratched
- Set the power line in the wire buckle and use tool to place it in the outlet hole of machine board and then fix it
- Applicable for all kinds of electrical products, light fixtures and other power line outlet holes

Model	Shape	Applied cable dimension (mm)	Applied cable dimension (mm)	Machine Plate Caliber		Applied Machine Plate Thickness F(mm)	Line Buckle Length D(mm)
				A(mm)	B(mm)		
2P-4	Flat	SPT-1	3 x 5.6	9.5	8.7	1.6	10.3
3P-4		SPT-1	3 x 5.6	11	9.9	1.6	10.3
3W-1		SPT-1	3 x 5.6	11	9.9	2.5	10.3
4N-4		SPT-2	3.71/3.8 x 7.6	12.7-13.1	11.8	1.6	10.3
4K-4		SPT-2	3.71/3.8 x 7.6	12.7-13.1	11.8	2.5	10.3
5N-4	Round	SVI SVT	6.4 φ - 7.4 φ	12.7-13.1	11.5	1.6	11
5P-4		SVI SVT	6.4 φ - 7.4 φ	12.7-13.1	11.5	2.5	11
6N-4		SJT 3C#18	7.6 φ	15.9	14	1.6	14.8
6P-4		SJT 3C#18	7.6 φ	15.9	14	3.2	14.8
6N3-4		SJT 3C#16	8.2 φ - 9.2 φ	15.9	14	1.6	14.8
6P3-4		SJT 3C#16	8.2 φ - 9.2 φ	15.9	14	3.2	14.8
7N-2		SJT 3C#14	9.2 φ - 10.5 φ 11 φ	19 19.8	16.8	1.6	19
7P-2	SJT 3C#14	9.2 φ - 10.5 φ 11 φ	19 19.8	16.8	3.2	19	



Type	Model	Outside diameter(machine plate caliber) D(MM)	H(mm)	Head Diameter B mm	Thread I. D. A (mm)
Buckles type line protective cover	312-3	8	8.3	9.6	5.2
	375-4	9.5	10.3	12	6.4
	0811	11.1	10.3	13.6	8.2
	0813	13	10.3	15.1	9.8
	1216	16	10.3	18.1	12.9

- PA66 engineering plastics shell, flame retardant rating of UL94V-2
- Operating temperature should not exceed 75°C (167° F)
- With both insulation and power line protection functions
- Press the lock with finger to set it in the mounting hole of machine board
- Applicable for power supply unit, control box or general power line outlet holes



cablE gland

OVERALL SOLUTION EXPERT